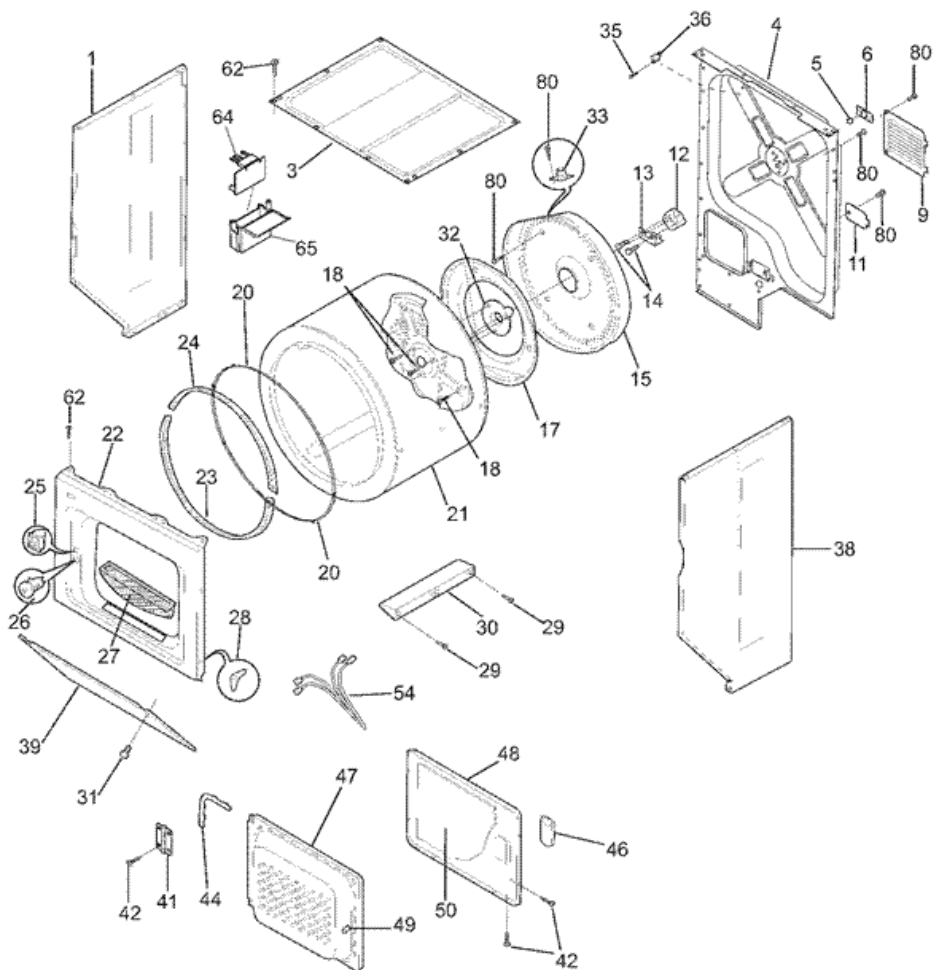


Distribuidor Autorizado

SurteRápido.com

Venta de Refacciones
Electrodomesticas

FEX831FS4 TAMBOR



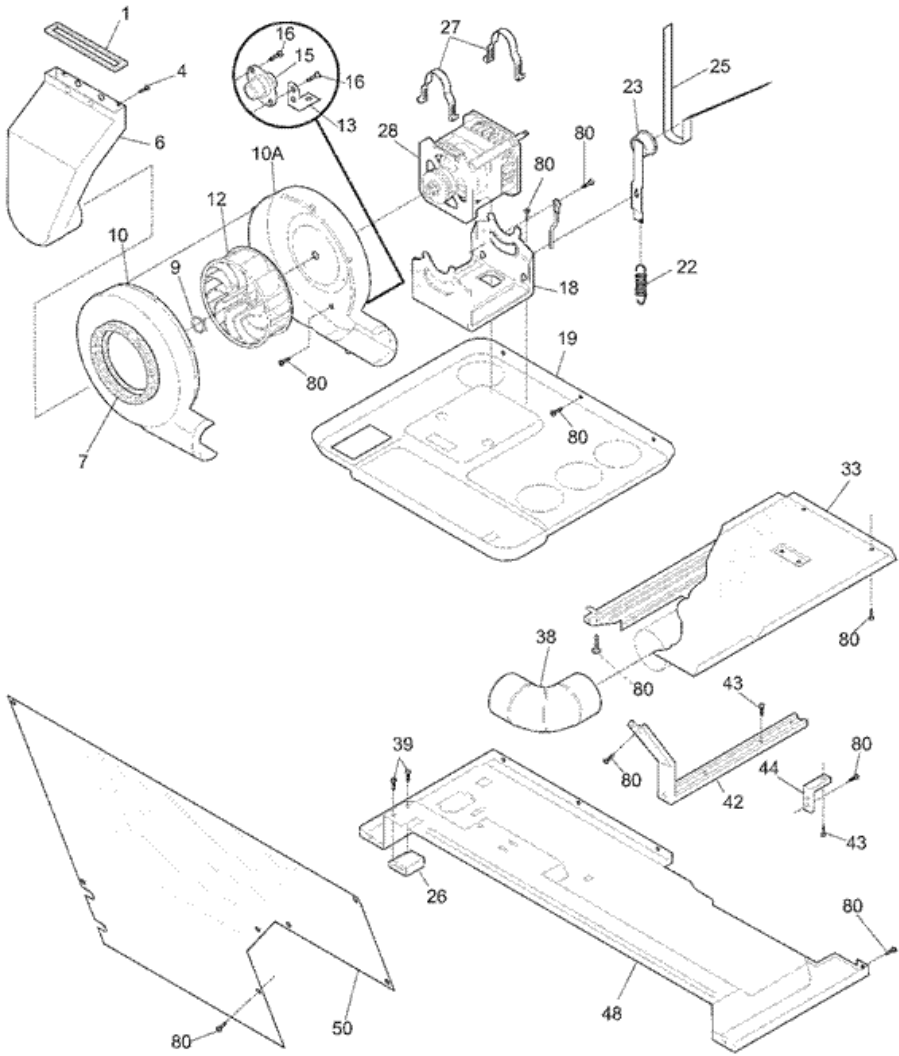


FEX831FS4 TAMBOR

1	131084710	PANEL, WHITE, LEFT SIDE (S/P)
3	131883301	PANEL, TOP (S/P)
4	134799902	PANEL, REAR, STEEL, GALVANIZED (S/P)
5	5303281019	BALL, GROUNDING (S/P)
6	5303281020	CLIP, BALL, STEEL, FLAT NUT (S/P)
9	3204249	PANEL, MOTOR ACCESS, REAR (S/P)
11	3204250	COVER, TERMINAL BLOCK (S/P)
12	131825900	BEARING, DRUM SUPPORT
13	131724300	BRACKET, BEARING SUPPORT (S/P)
14	131205400	SCREW, BRACKET MTG., 10-16B X 1.375 (S/P)
17	3204254	BAFFLE, HEATER SHIELD (S/P)
18	131477000	SCREW, 10-16AB X 0.375 (S/P)
20	131963900	GLIDE, DRUM
21	134122532	DRUM, DRYER, GALVANIZED STL., SERVICE KIT (S/P)
22	131636237	PANEL, FRONT, WHITE (S/P)
23	5303937183	SEAL, FELT, LOWER
24	5303937182	SEAL, FELT, UPPER
25	131658800	DOOR CATCH, UPPER (S/P)
27	131359600	LINT TRAP
28	5303281074	CLIP, GUIDE
29	131382300	SCREW, QUADREX HEAD, 10-14 X 1.00 (S/P)
30	5303201200	VANE, STRAIGHT
31	131202300	SCREW, 10-16AB X 0.625 (S/P)
32	137088600	SHAFT, DRUM SUPPORT, BALLHITCH (S/P)
35	131892100	SCREW, 6-20B X 0.230 (S/P)
38	131084810	PANEL, WHITE, RIGHT SIDE (S/P)
39	131084402	PANEL, ACCESS, WHITE, FRONT (S/P)
41	134222900	HINGE, DRYER DOOR (S/P)
42	131209600	SCREW, FLAT HEAD, 8-18AB X 0.44, (S/P)
44	131129900	GASKET, DOOR SEAL
46	131789400	HANDLE, DOOR, WHITE (S/P)
47	131579103	PANEL, INNER DOOR, WHITE (S/P)
48	131789303	PANEL, OUTER DOOR, WHITE (S/P)

49	5303211430	DOOR STRIKE (S/P)
50	134535300	INSULATOR, HEAT SHIELD, OUTER DOOR (S/P)
62	131258400	SCREW, 10-16AB X 0.500 (S/P)
65	131894600	HOUSING, TEMP CONT BOARD (S/P)
80	134547800	SCREW, 10-16AB X 0.375 (S/P)
NI	131870700	PLUG, LIGHT HOLE (S/P)
F15	131475300	HEATER ASSY, W/HOUSING
F26	131843100	SWITCH, DOOR
F33	3204267	THERMOSTAT, SAFETY
F36	134120900	THERMAL LIMITER (S/P)
F54	134846300	WIRING HARNESS, DOOR SWITCH (S/P)
F64	131891010	CONTROL BOARD, TEMPERATURE, ATC (S/P)
FNI	134805600	WIRING HARNESS, ATC JUMPER (S/P)

FEX831FS4 BASE





FEX831FS4 BASE

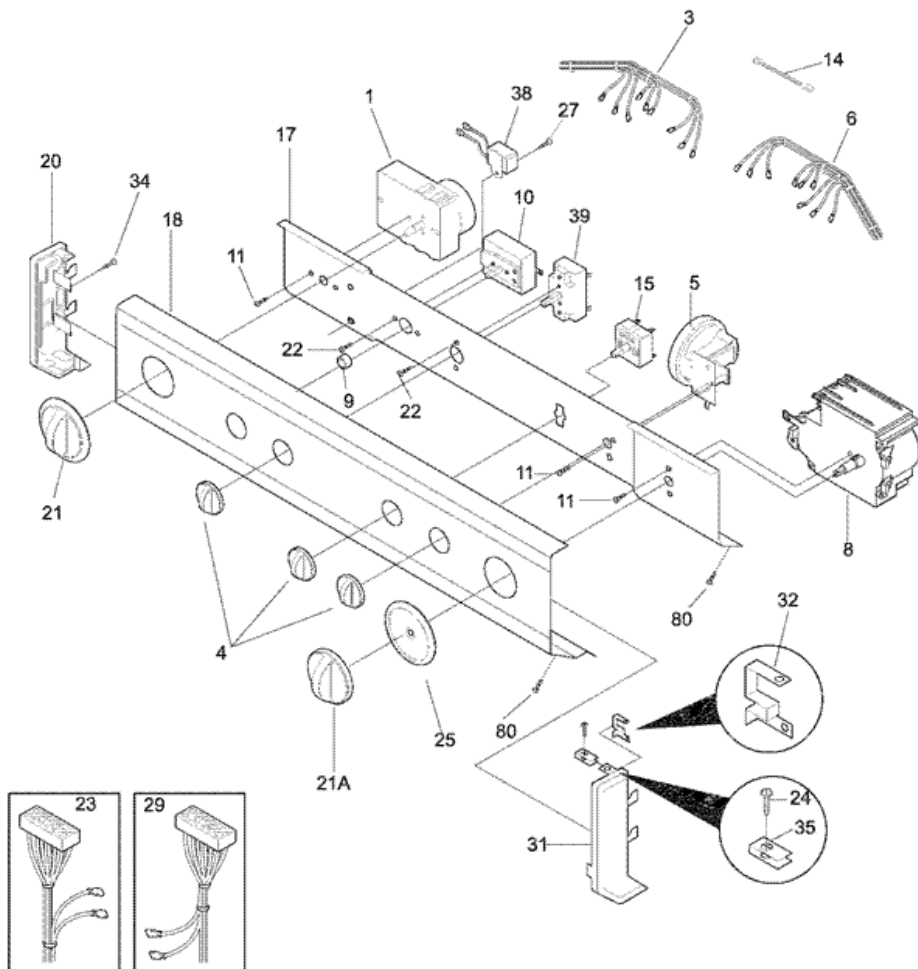
1	131295200	SEAL, AIR DUCT (S/P)
4	131362400	FASTENER, PUSH-IN (S/P)
6	134086300	DUCT, AIR
7	3204490	SEAL, HOUSING, TO AIR DUCT (S/P)
9	5303304824	CLAMP
10	5304475309	HOUSING, BLOWER, FRONT, WITH SEAL (S/P)
12	131476300	BLOWER WHEEL
13	134608400	GROUND STRAP, THERMOSTAT (S/P)
16	215822000	SCREW, PAN HEAD, 8-18AB X 0.375 (S/P)
18	131413600	CRADLE, MOTOR MOUNT, WITH IDLER STUD (S/P)
19	134613501	PANEL, MOTOR CRADLE MT, UPPER (S/P)
22	3205241	SPRING, IDLER (S/P)
23	131623300	IDLER ARM ASSY, WITH PULLEY (S/P)
26	5303212870	BLOCK, SUPPORT, BOTTOM PANEL (S/P)
27	134242400	CLAMP, MOTOR MTG. (S/P)
33	131731400	SHIELD, ACCESS AREA, COVER (S/P)
38	3204320	ELBOW, EXHAUST DUCT (S/P)
39	131205100	SCREW, NO.8 PAN HEAD, 10-10B X 0.500 (S/P)
42	5304439185	BRACKET, MARRIAGE, INTERIOR (S/P)
43	131751500	SCREW, HEX HEAD, 12-24T 0.63 (S/P)
44	3204326	BRACKET, L MOUNTING, CABINET REAR, (S/P)
48	131731310	PANEL, DRYER, BOTTOM REAR (S/P)
50	3204329	COVER, SAFETY, LOWER FRONT (S/P)
80	134547800	SCREW, 10-16AB X 0.375 (S/P)
10A	134608200	HOUSING, BLOWER, REAR (S/P)
F15	131298300	THERMOSTAT, TEMP CONTROL (S/P)
F25	134503900	BELT, DRYER DRIVE
F28	134196600	MOTOR, DRYER DRIVE, WITH PULLEY (S/P)
FNI	134101400	TERMINAL BLOCK, MAIN (S/P)

Distribuidor Autorizado

SurteRápido.com

Venta de Refacciones
Electrodomesticas

FEX831FS4 TABLERO





FEX831FS4 TABLERO

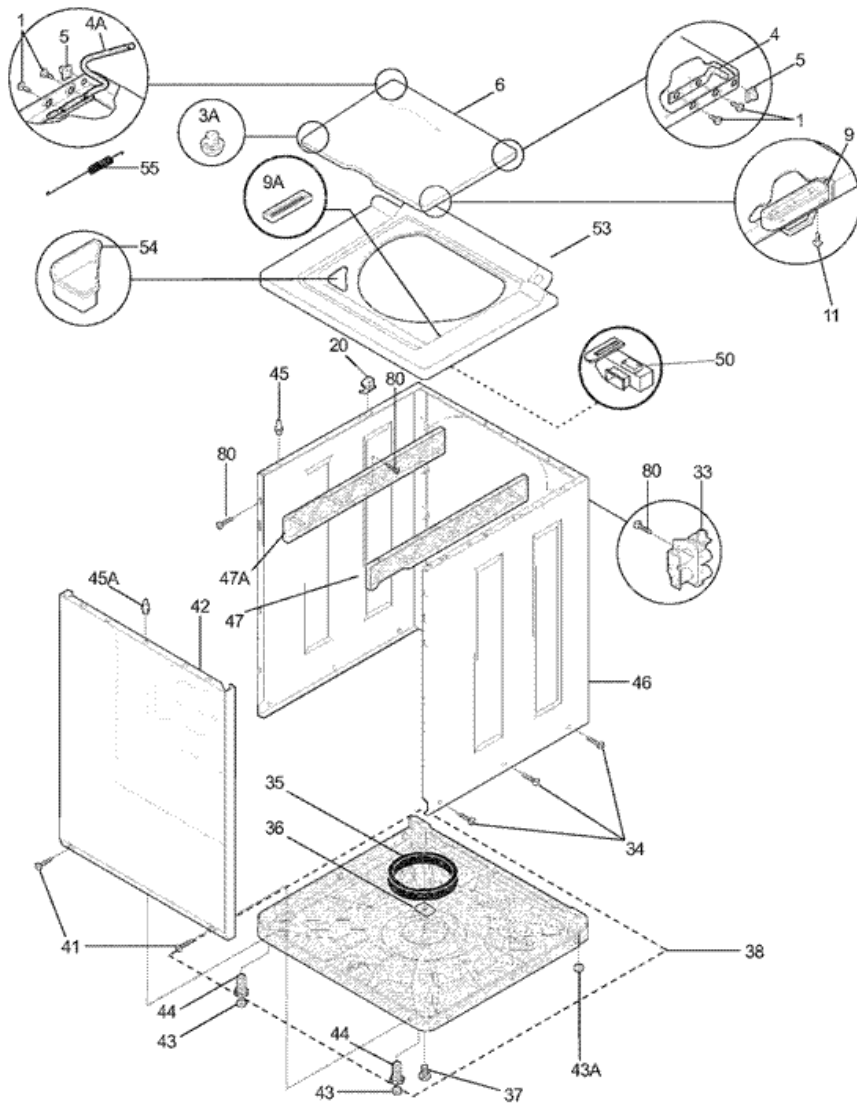
4	131873404	KNOB, ROTARY, WHITE/DK GRAY (S/P)
5	137015000	SWITCH, PRESSURE, 3 POSITION (S/P)
9	131111501	BUTTON, START SWITCH, WHITE, PUSH TYPE (S/P)
11	5303283289	SCREW, CR PAN HEAD, 8-32 X 0.250 (S/P)
17	134263400	BRACKET, CONTROL MOUNT (S/P)
18	134310300	PANEL, TRIMPLATE, CONSOLE FRONT (S/P)
20	131288101	END CAP, WHITE, LH
21	131873304	KNOB, DRYER TIMER, WHITE
22	131311700	SCREW, PAN HEAD QUAD, 8-32 X 0.15 (S/P)
24	134156200	SCREW, FLAT HEAD, 8-18AB X 0.44, (S/P)
25	131976804	INDICATOR, TIMER POINTER,
27	131892100	SCREW, 6-20B X 0.230 (S/P)
31	131288211	END CAP, WHITE, RH (S/P)
32	3204357	CLIP, GROUNDING (S/P)
34	215822000	SCREW, PAN HEAD, 8-18AB X 0.375 (S/P)
35	131063700	CLIP, END CAP MTG, U-TYPE (S/P)
80	134547800	SCREW, 10-16AB X 0.375 (S/P)
F1	5303297177	TIMER, DRYER (S/P)
F3	134066000	WIRING HARNESS, DRYER CONTROL (S/P)
F6	137061000	WIRING HARNESS, WASHER CONTROL (S/P)
F8	134883600	TIMER, WASHER
NI	5304426200	SCREW, TERMINAL BLOCK (S/P)
21A	131977201	KNOB, WASHER TIMER, WHITE
F10	131628900	SWITCH, PUSH START
F14	134446800	RESISTOR, POWER (S/P)
F15	134410100	SWITCH, TEMPERATURE, 3 POSITION
F23	134605500	WIRING HARNESS, MAIN (S/P)
F29	137061100	WIRING HARNESS, WASHER, LOWER (S/P)
F38	5303286537	BUZZER (S/P)
F39	134400000	SWITCH, ROTARY, 2 POSITION (S/P)
FNI	134101400	TERMINAL BLOCK, MAIN (S/P)

Distribuidor Autorizado

SurteRápido.com

Venta de Refacciones
Electrodomesticas

FEX831FS4 GABINETE





FEX831FS4 GABINETE

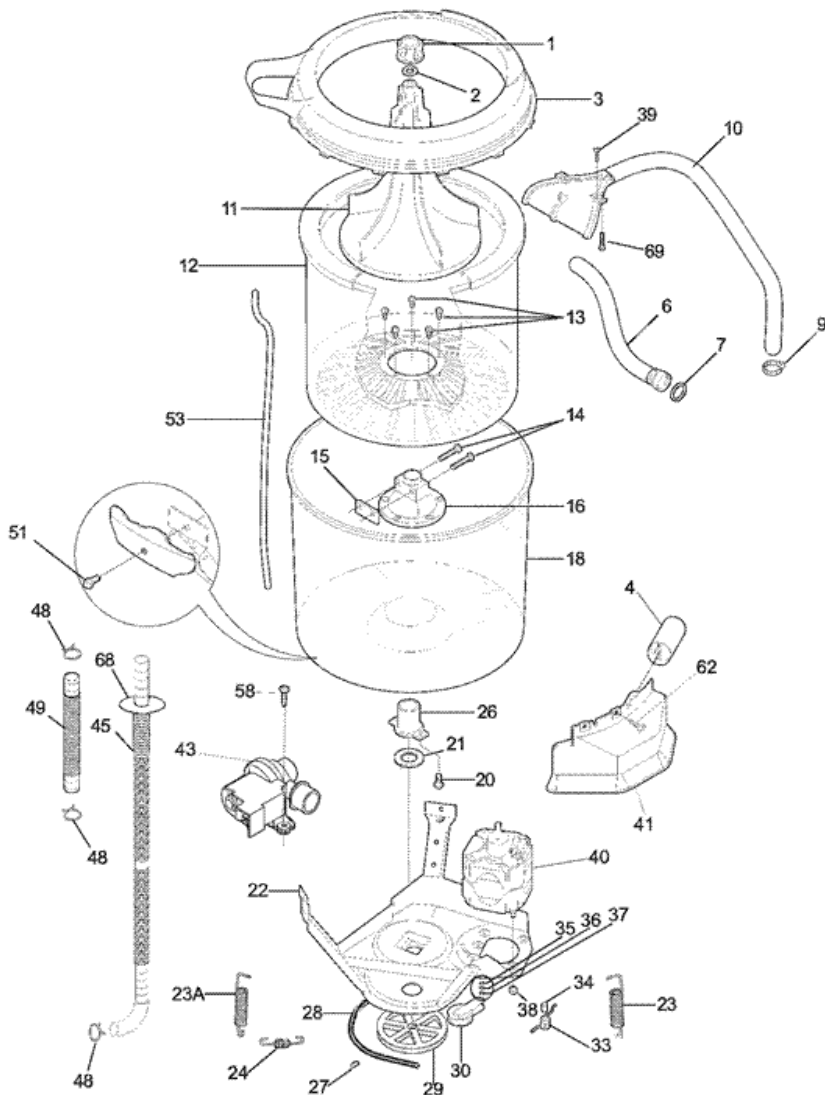
1	134203900	SCREW, PAN HD PHILLIPS, 6-32 X 0.337, (S/P)
4	137104700	HINGE BAR, RH (S/P)
5	5303208743	GROMMET, HINGE (S/P)
6	5303212872	LID, WASHER, WHITE (S/P)
9	131390000	LID STRIKE
11	3204368	SCREW, LID STRIKE MTG, 6-20B X 0.375 (S/P)
20	3204374	PIN, SLIDE, SIDE TO TOP (S/P)
34	131205500	SCREW, CAB BODY, 1/4-14 X 0.625, (S/P)
35	5308002385	SNUBBER RING
36	3204380	SHIPPING BLOCK (S/P)
37	131658900	SCREW, SHIPPING, 1/4-20 X 1.001 (S/P)
38	5303311213	BASE ASSEMBLY
3A	134075500	BUMPER, LID, FRONT
41	131258400	SCREW, 10-16AB X 0.500 (S/P)
42	131104303	PANEL, FRONT, WHITE (S/P)
43	131422100	PAD, LEVELING LEG
44	5303309673	SCREW, LEVELING LEG, WITH PAD
45	131346400	PIN, PANEL LOCATOR (S/P)
46	134046600	CABINET ASSY, WHITE, BACK AND SIDES (S/P)
47	131106701	BRACKET, MARRIAGE, RH (S/P)
4A	3205250	HINGE BAR, UNIVERSAL (S/P)
50	134936800	LOCK, LID
53	137194710	PANEL, WASHER TOP, WHITE (S/P)
54	3204394	DISPENSER, BLEACH (S/P)
55	137046100	SPRING, LID ASSIST (S/P)
80	134547800	SCREW, 10-16AB X 0.375 (S/P)
9A	134768500	INSERT, STRIKER PLATE, LID SLOT (S/P)
43A	131422200	PAD, SELF LVLG LEG, REAR (S/P)
45A	131346401	PIN, PANEL LOCATOR, FRONT (S/P)
47A	131091001	BRACKET, MARRIAGE, LH (S/P)
F33	134890600	VALVE, WATER, 115 V (S/P)

Distribuidor Autorizado

SurteRápido.com

Venta de Refacciones
Electrodomesticas

FEX831FS4 TINAS



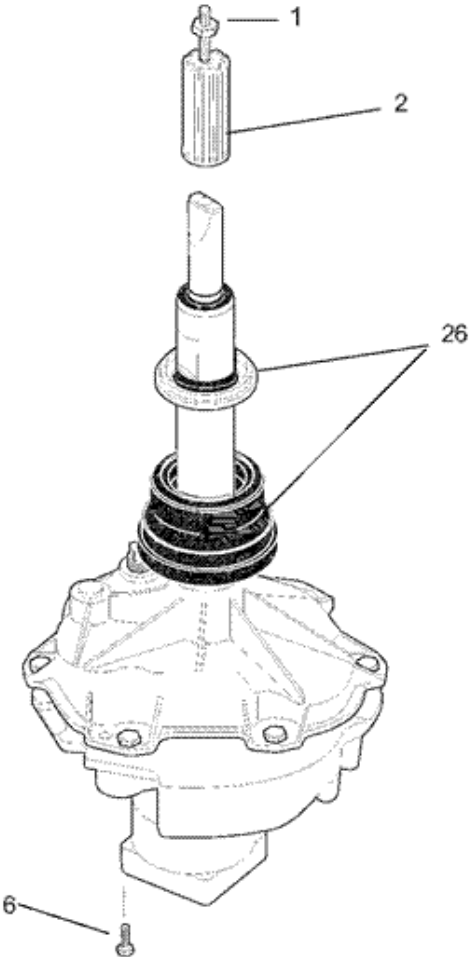
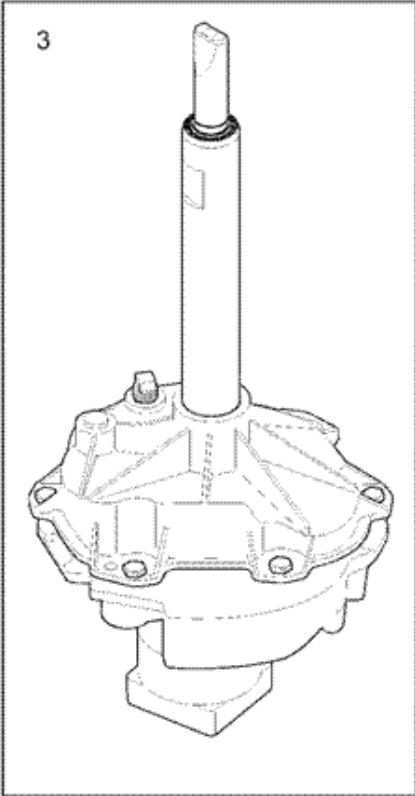


FEX831FS4 TINAS

1	3204395	CAP, AGITATOR, STANDARD, SLIM
2	3204396	SEAL, AGITATOR CAP
3	131398303	COVER, SPLASH TUB, WITH SEAL
6	5303271009	HOSE, INLET, 48 INCH LONG (S/P)
7	5303161296	WASHER, INLET HOSE (S/P)
9	5303304824	CLAMP
10	131726300	HOSE ASSY, W/NOZZLE
13	5303283293	SCREW, TRUNION, 5/16-18 X 0.625, (5)
14	131192800	SCREW, LOCKPLATE, 5/16-18 X 1.625
15	137107000	PLATE, LOCK (S/P)
16	131545101	TRUNNION
18	131557201	TUB, SPLASH, W/AIR DOME, BRG (S/P)
20	3205150	SCREW, TUB BEARING, 8-12B X 0.750 (S/P)
21	5308002401	WASHER, SPIN BEARING, UPPER
22	131373610	LEG & DOME ASSY
23	5303208858	SPRING, VERTICAL, SHORT
24	131373900	SPRING, HORIZONTAL
27	5303304825	SCREW, SET, HEX HD CUP, 5/16-18 X 0.85 (S/P)
33	3204425	SPRING, TORSIONAL
34	3204426	SLEEVE, IDLER PIVOT
35	3161433	RING, RETAINING
36	5303261031	WASHER, PIVOT SHAFT
37	5303161306	WASHER, SPRING TYPE
38	5303318708	NUT, HEX FLANGE, MOTOR MOUNTING (S/P)
39	131205100	SCREW, NO.8 PAN HEAD, 10-10B X 0.500, (S/P)
41	134455500	SHIELD, MOTOR ASSY (S/P)
48	131306234	CLAMP, HOSE, WIRE (S/P)
51	134164400	SCREW, HEX WASHER HEAD, 5/16-18 X 0.625 (S/P)
53	5304401845	TUBE, PRESSURE, VINYL
58	134160900	SCREW, WASHER HD, 10-16AB X 0.75 (S/P)
62	131258400	SCREW, 10-16AB X 0.500 (S/P)
68	131707800	RING, DRAIN HOSE (S/P)
69	131731500	FASTENER, RATCHET (S/P)

F4	131212303	CAPACITOR, MOTOR (S/P)
NI	5303212877	INSERT, SPRING ADJUSTER, VERTICAL
NI	131901400	· SEAL, SPLASH COVER
NI	5303309503	CLIP, DRAIN HOSE, BACK SHEET (S/P)
NI	131453000	BUSHING, SNAP-IN (S/P)
NI	131663500	CUSHION, DRAIN HOSE, BASE (S/P)
NI	134745300	CLIP, DRAIN HOSE (S/P)
NI	134261300	CLIP, DRAIN HOSE, PUSH-MOUNT (S/P)
23A	5303208860	SPRING, VERTICAL
F11	3204401	AGITATOR, STANDARD, SLIM
F12	131370400	TUB, SPIN, W/LINT FILTER
F26	3204405	BEARING, OUTER TUB
F28	131686100	V-BELT, WASHER DRIVE, STANDARD 4L
F29	131498300	PULLEY, XMSN DRIVE
F30	131862900	IDLER ARM ASSY, VAW, WITH PULLEY
F40	134156400	MOTOR, 3/4 HP, 1 SPEED, WITH PULLEY
F43	137151800	PUMP, DRAIN (S/P)
F45	134049200	HOSE, DRAIN
F49	131494800	HOSE, PUMP TO TUB

FEX831FS4 TRANSMISION





FEX831FS4 TRANSMISION

1	131206800	STUD, AGITATOR CAP (S/P)
6	134197900	SCREW, HEX WASHER HEAD, 1/4-20 X 0.437 (S/P)
F2	134418700	HUB, DRIVE, AGITATOR
F3	134588800	TRANSMISSION, SERVICE KIT
NI	134810000	ENERGY GUIDE (S/P)
F26	5308950197	SEAL ASSY, TUB, TRANSMISSION